



# INSTALLATION INSTRUCTIONS

Product: Coil Spring Retainers

Part Number: JKS1600

Applications: Jeep Wrangler JK, 2007+ (rear only)

©2013 JKS Manufacturing, Inc & Aftermarketing, LLC  
Revision Date 3/22/2013

517-278-1226 • tech@jksmfg.com • www.jksmfg.com  
491 W. Garfield Avenue, Coldwater, MI 49036

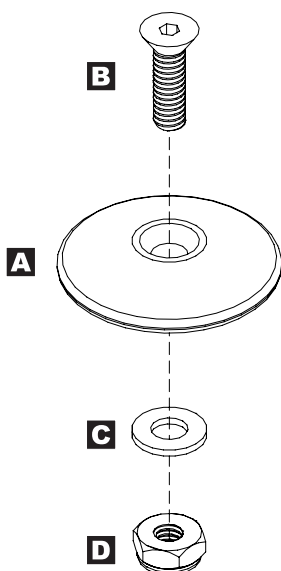
## Welcome

CONGRATULATIONS on purchasing a set of new Coil Spring Retainers from JKS Manufacturing. We are committed to providing you with the best products available and your satisfaction is our first priority.

## Tools Required

- Metric/Standard Socket Wrench Set
- 1/4" Allen Wrench

## Parts

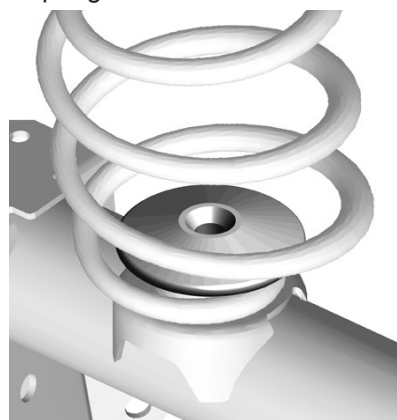


	Description	QTY
<b>A</b>	Coil Spring Retainer	2
<b>B</b>	7/16" x 1-1/2" Flathead Socket Screw	2
<b>C</b>	7/16" Flat Washer	2
<b>D</b>	7/16" Nylock Nut	2

## Installation

### 1. INSERT COIL SPRING RETAINER

- Locate the 5/8" hole in the center of the lower spring mount on the rear axle.
- Place Coil Spring Retainer (A) inside the spring by sliding it between the coils. Make sure flat side of Coil Spring Retainer faces down.
- Position Coil Spring Retainer (A) directly on the lower spring mount as illustrated.



### 2. SECURE SPRING RETAINER TO LOWER SPRING MOUNT

- Insert 7/16" x 1-1/2" Flathead Socket Screw (B) into tapered hole in center of Coil Spring Retainer (A), and through the hole in the lower spring mount.
- From beneath spring mount, slide a 7/16" Flat Washer (C) onto threads of Flathead Socket Screw (B) and install the 7/16" Nylock Nut (D).
- Secure the Coil Spring Retainer (A) to the lower spring mount by tightening the mounting hardware. Use a 1/4" Allen Wrench to prevent the 7/16" x 1-1/2" Flathead Socket Screw (B) from spinning, and tighten the 7/16" Nylock Nut (D) to 35 ft-lbs.
- Make sure the Coil Spring Retainer (A) is perfectly flat against the lower spring mount, and coil spring is secure.