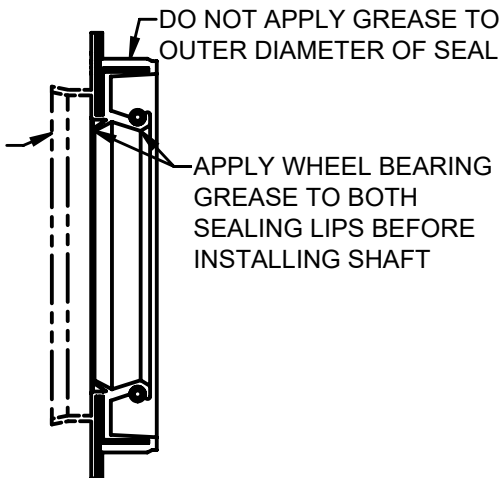


# INSTALLATION INSTRUCTIONS FOR TRAIL-SAFE™ SEALS

APPLY WHEEL BEARING GREASE TO FACE OF SEAL SURFACE (IF PRESENT)



**RECOMMENDED TOOLS: WHEEL BEARING GREASE, SEAL DRIVER SET**

- 1. READ INSTRUCTIONS COMPLETELY AND CAREFULLY BEFORE YOU BEGIN. IF ANYTHING IS NOT CLEAR, PLEASE CALL OUR TECH SUPPORT LINE AT 1.877.4X4.TOYS OR 559.252.4950 BEFORE PROCEEDING.**
- 2. PARK VEHICLE ON A CLEAN, DRY, FLAT, LEVEL SURFACE AND BLOCK THE TIRES SO THE VEHICLE CANNOT ROLL IN EITHER DIRECTION.**
- 3. THIS KIT IS FOR OFF-ROAD USE ONLY. IT IS RECOMMENDED THAT THE INSTALLATION STEPS BE PERFORMED BY A COMPETENT MECHANIC. BUYERS AND USERS OF THIS PRODUCT HEREBY EXPRESSLY ASSUME ALL RISKS ASSOCIATED WITH THE INSTALLATION AND USE OF THIS KIT.**

TRAIL-GEAR, INC. • 5356 E. PINE AVE. • FRESNO, CA 93727

WWW.TRAIL-GEAR.COM

303809-INS